

Assembly instructions WPC Basic door

Montagehinweis WPC Basic Gartentor

Instructions de montage WPC Basic porte

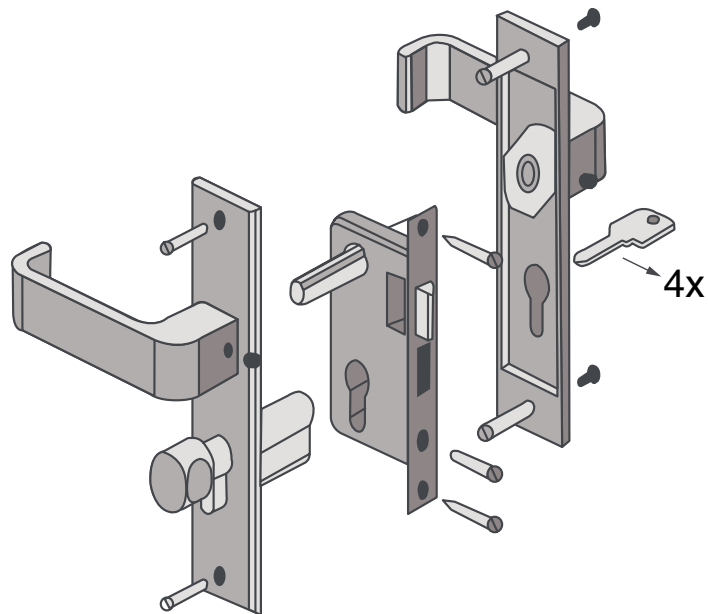
Montage instructie Composiet Basic deur



## Parts list

### Lock Set

1x

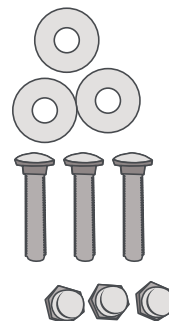


### Hinge & thumb set

3x



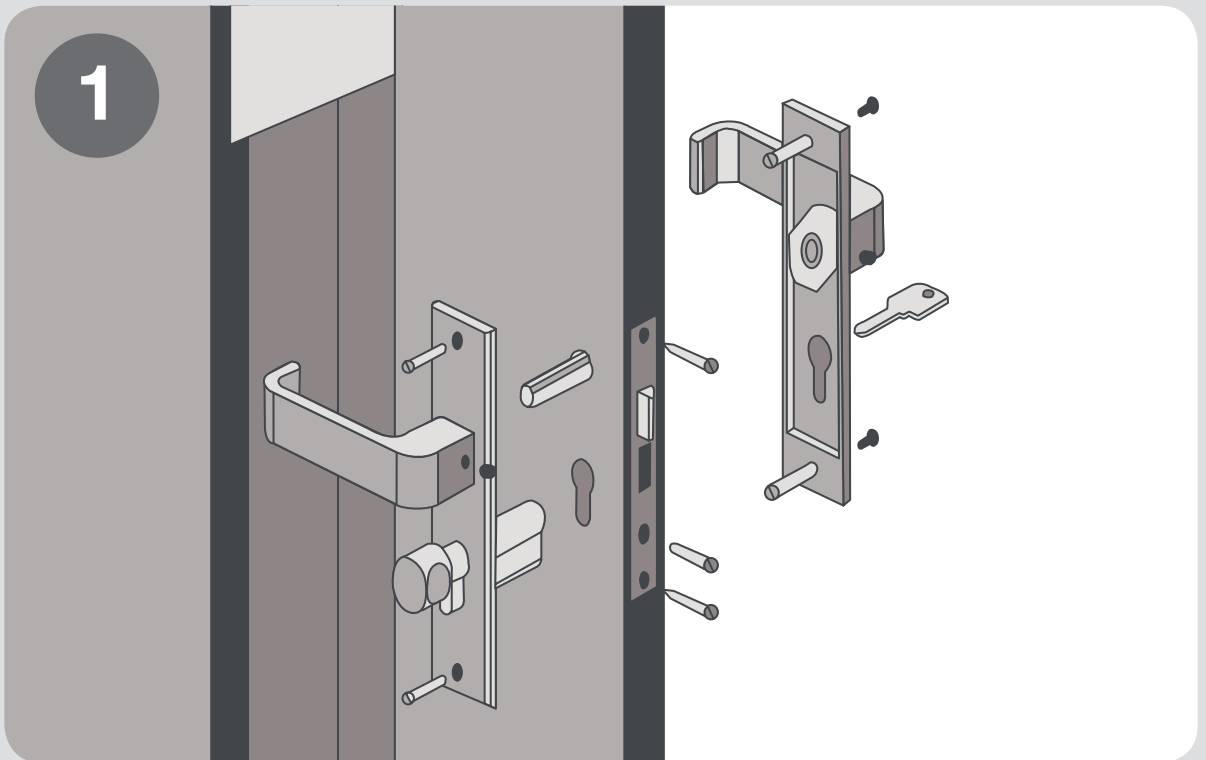
6x



## Assembly steps

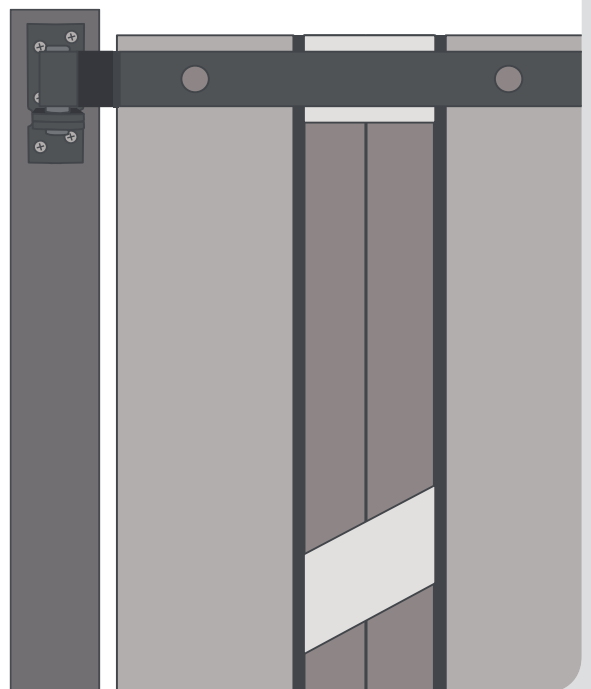
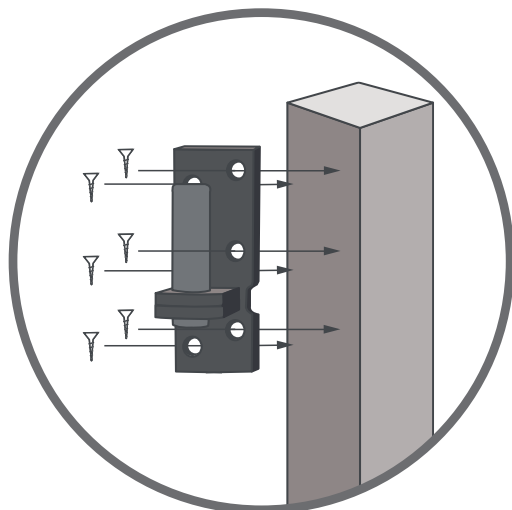
### Lock Set Assembly

1



### Thumb Set Assembly

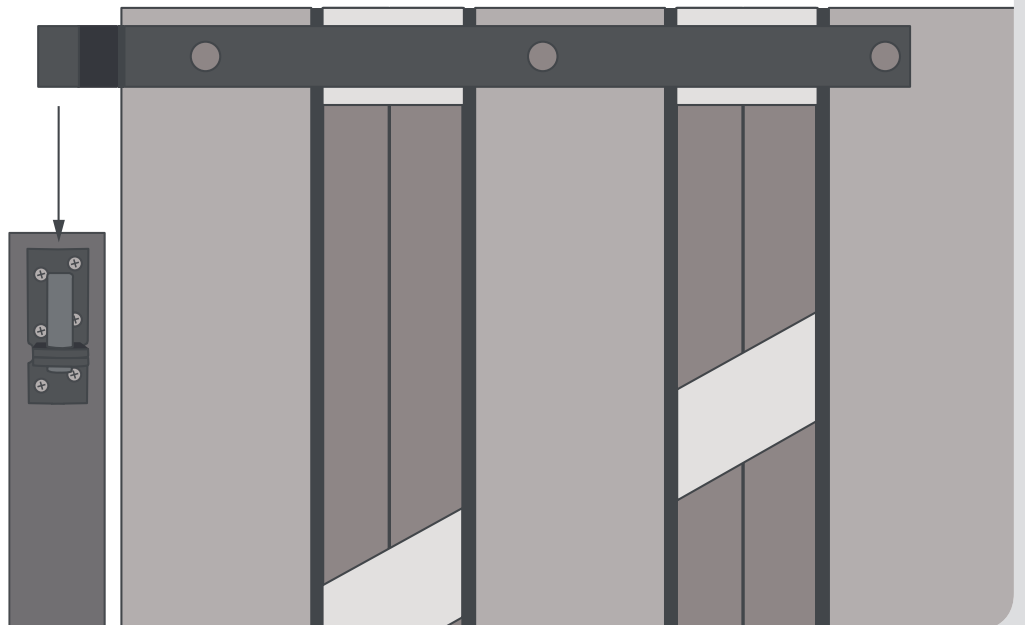
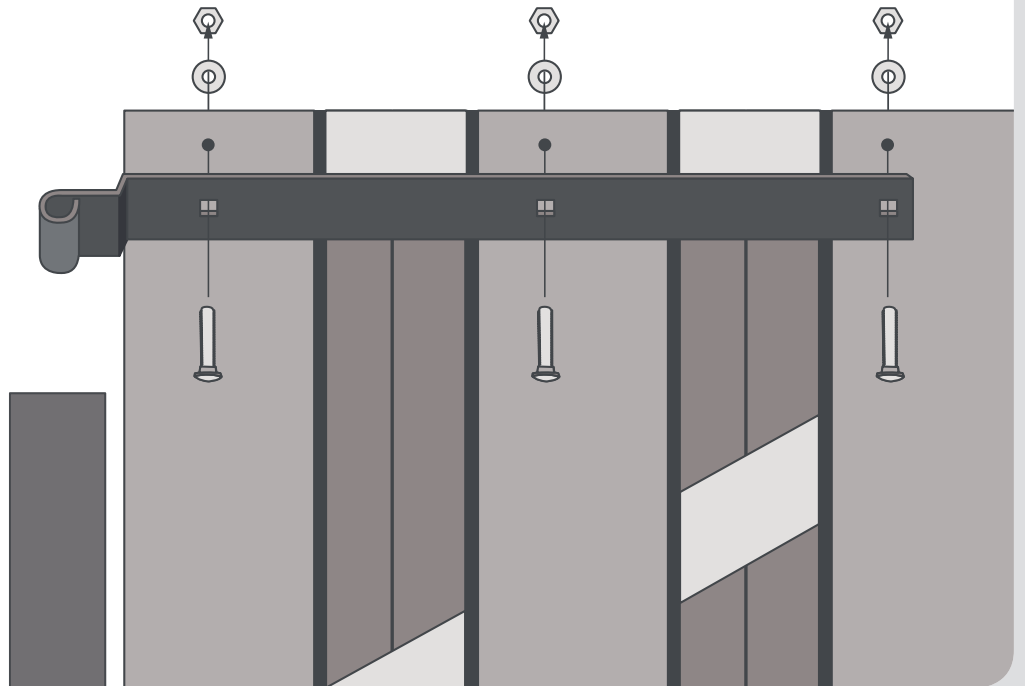
2



## Assembly steps

### Hinge Set Assembly

3





## Assembly steps

Finish  
Assembly

4

doorstopper  
enclosed with door

