



Assembly instructions WPC Design door

Montagehinweis WPC Design Gartentor

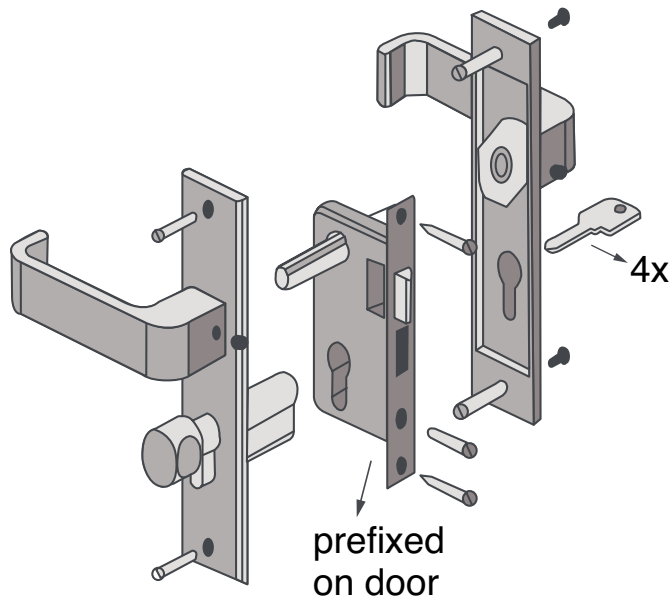
Instructions de montage WPC Design porte

Montage instructie Composiet Design deur

Parts list

Lock Set

1x

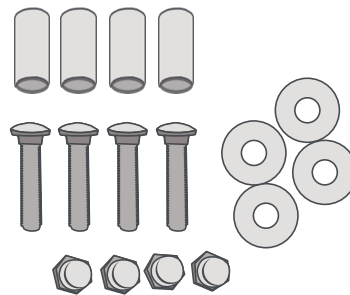


Hinge & thumb set

3x



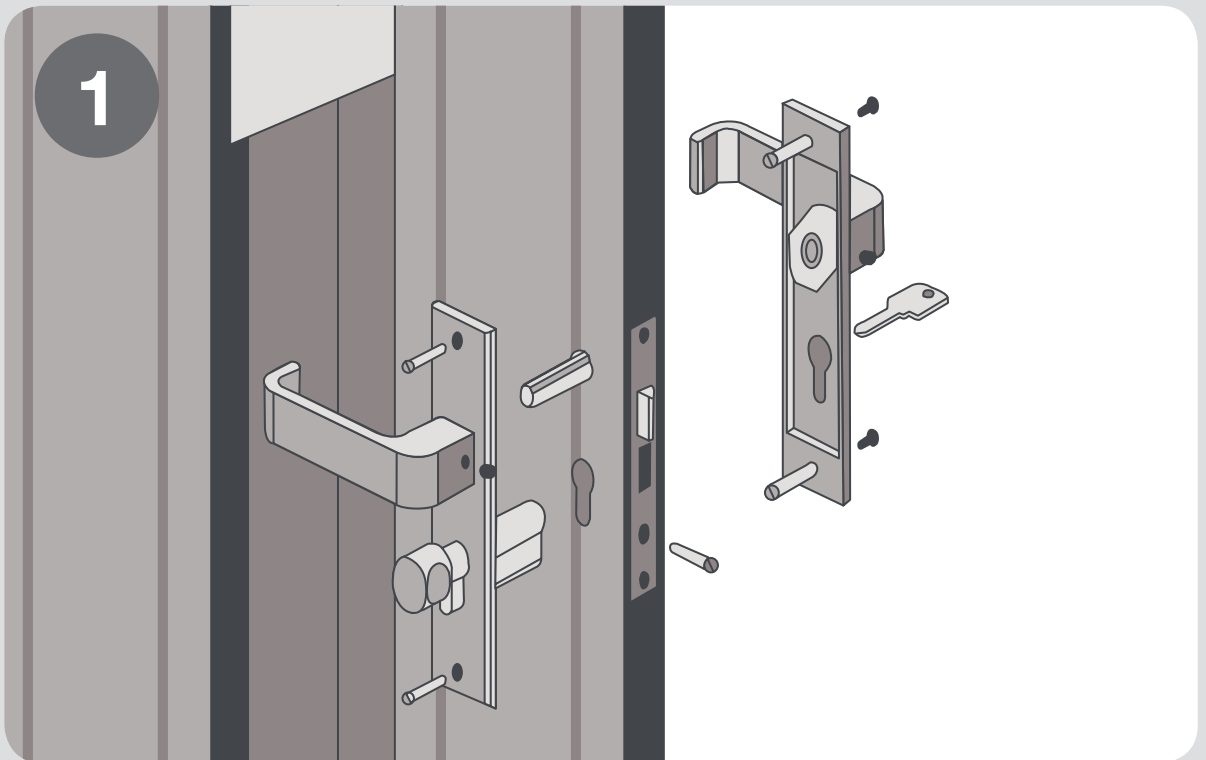
6x



Assembly steps

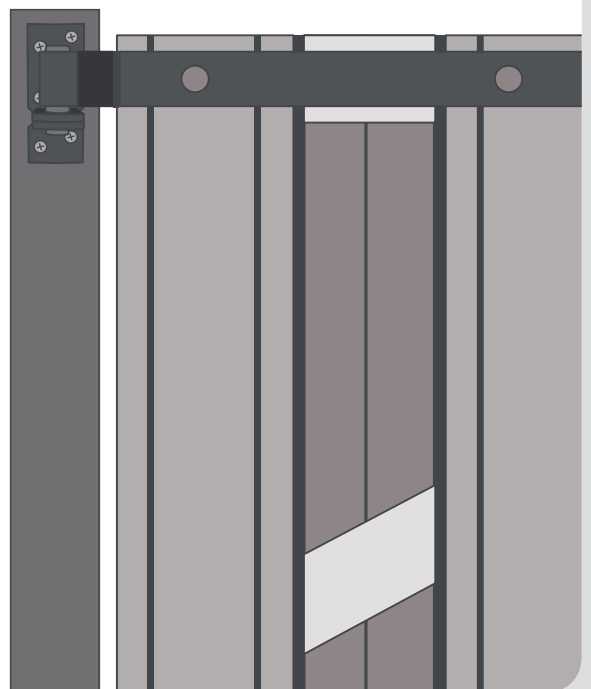
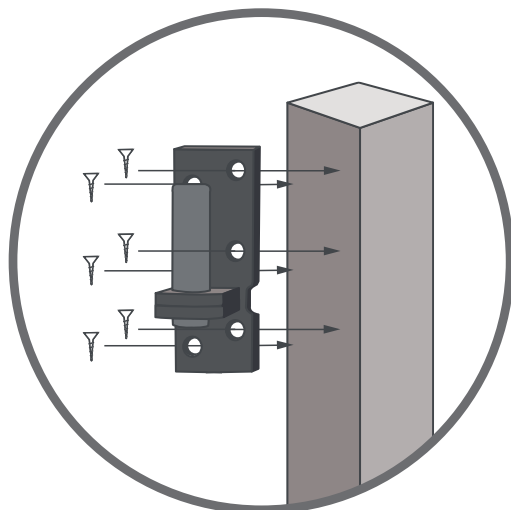
Lock Set Assembly

1



Thumb Set Assembly

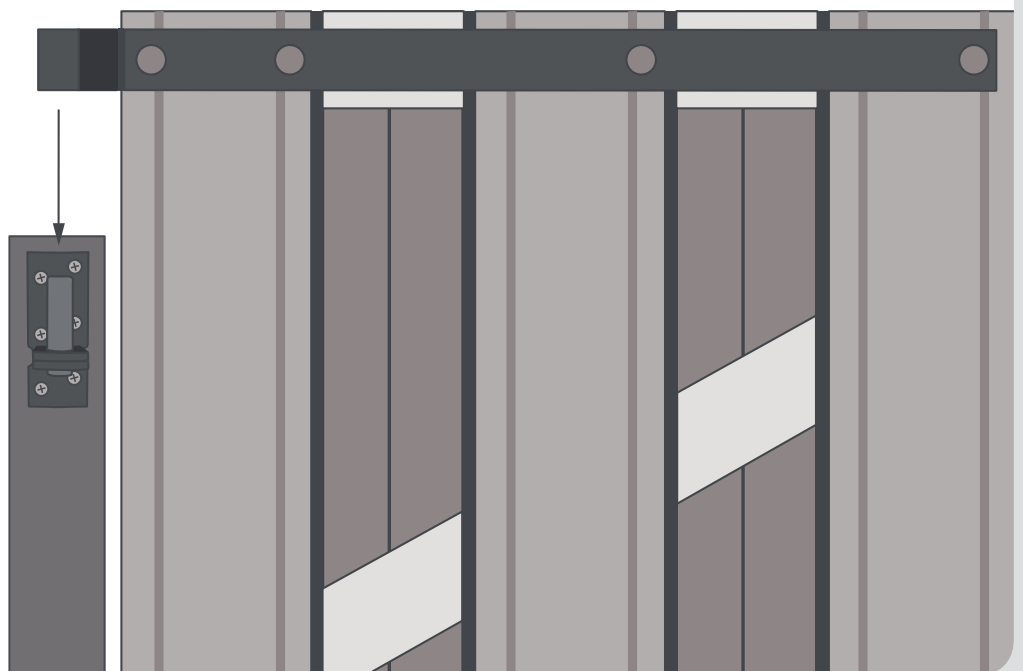
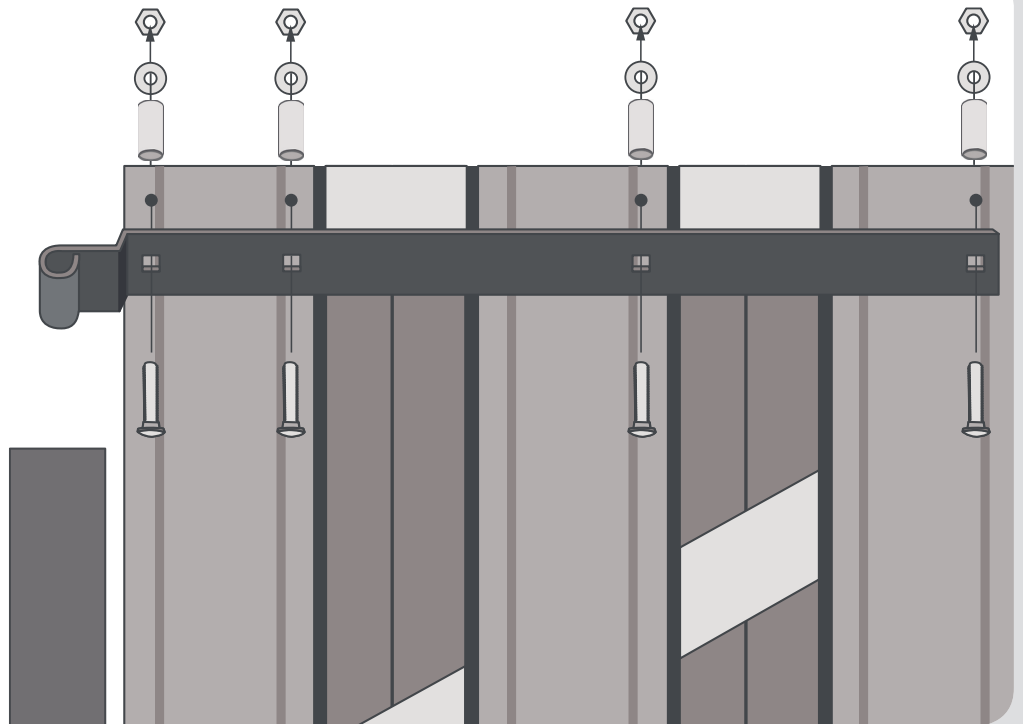
2



Assembly steps

**Hinge Set
Assembly**

3





Assembly steps

Finish
Assembly

4

doorstopper
enclosed with door

