

Assembly instructions WPC Design door

Montagehinweis WPC Design Gartentor

Instructions de montage WPC Design porte

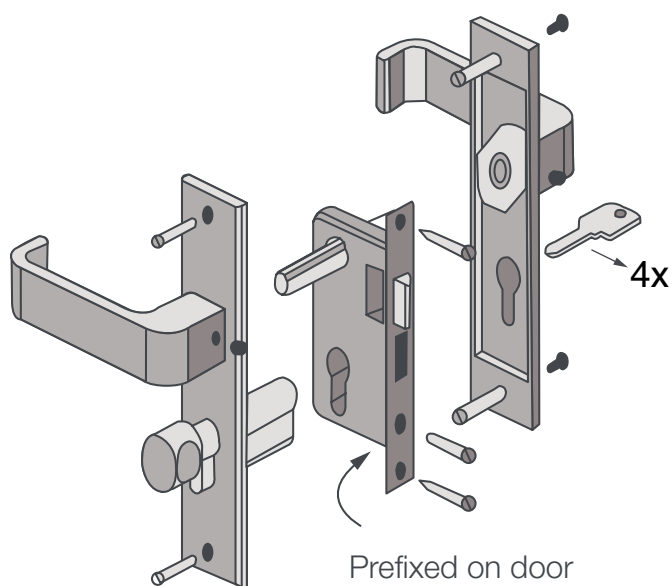
Montage instructie Composiet Design deur



## Parts list

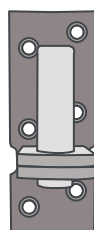
### Lock Set

1x

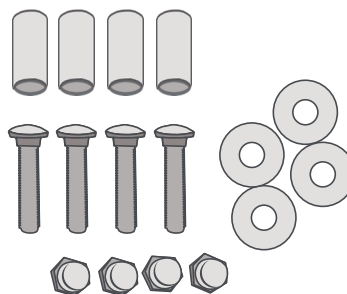


### Hinge & thumb set

3x



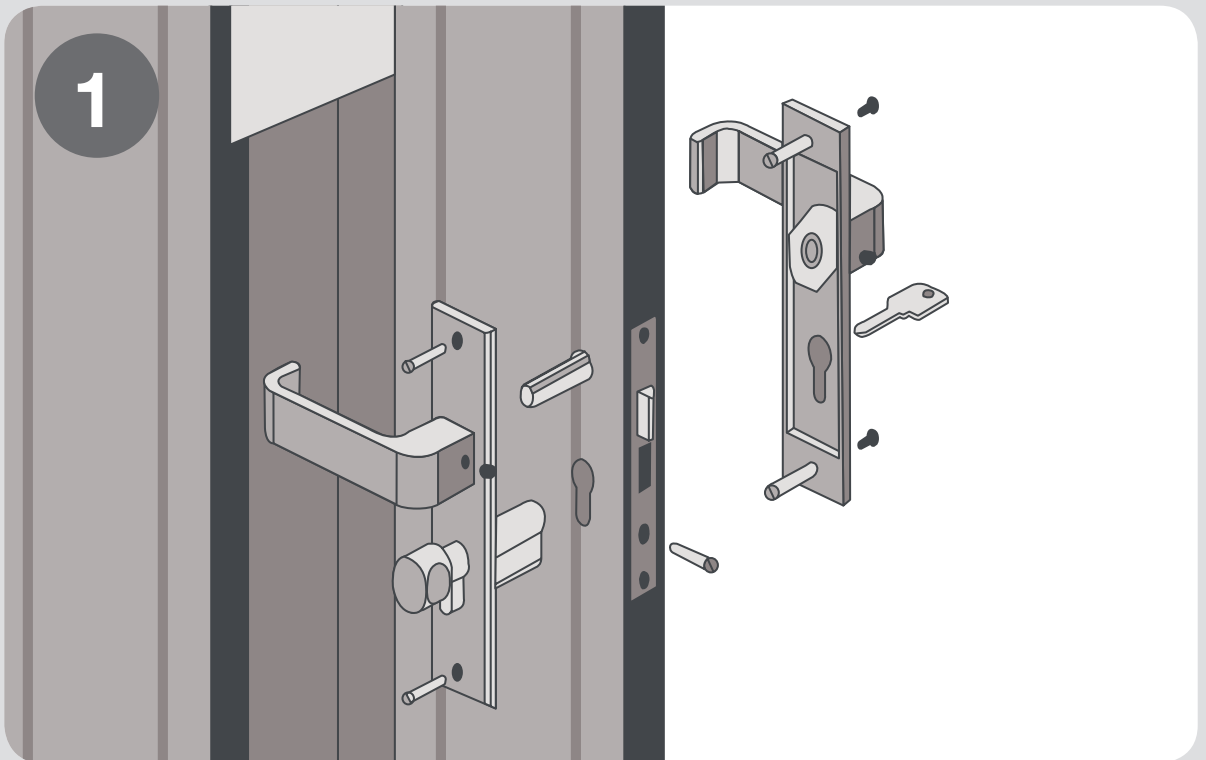
6x



## Assembly steps

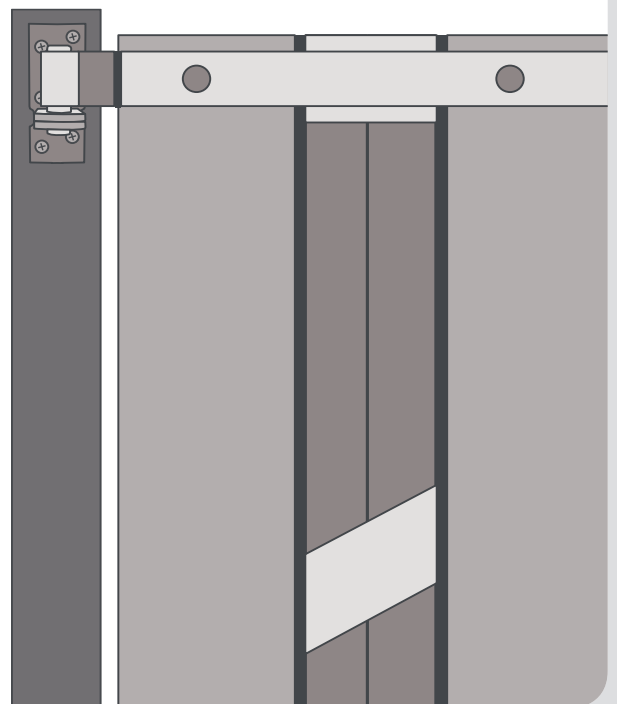
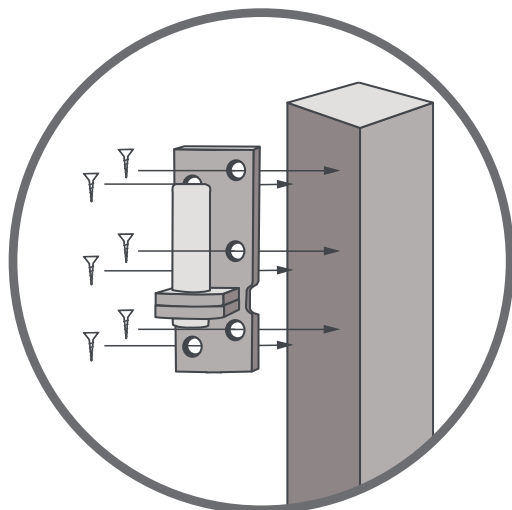
### Lock Set Assembly

1



### Thumb Set Assembly

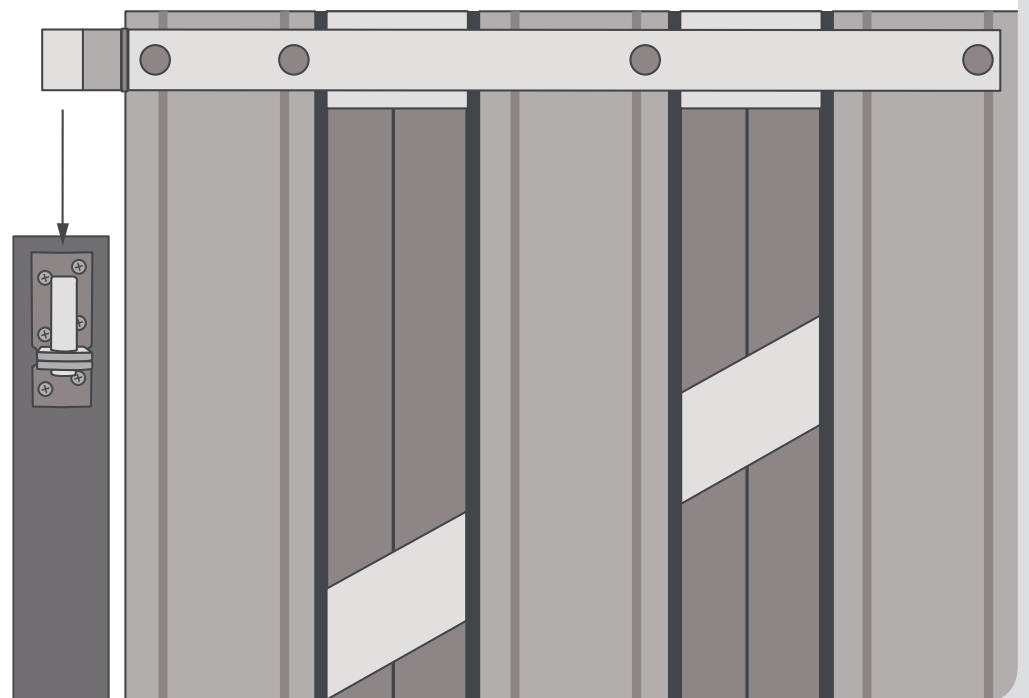
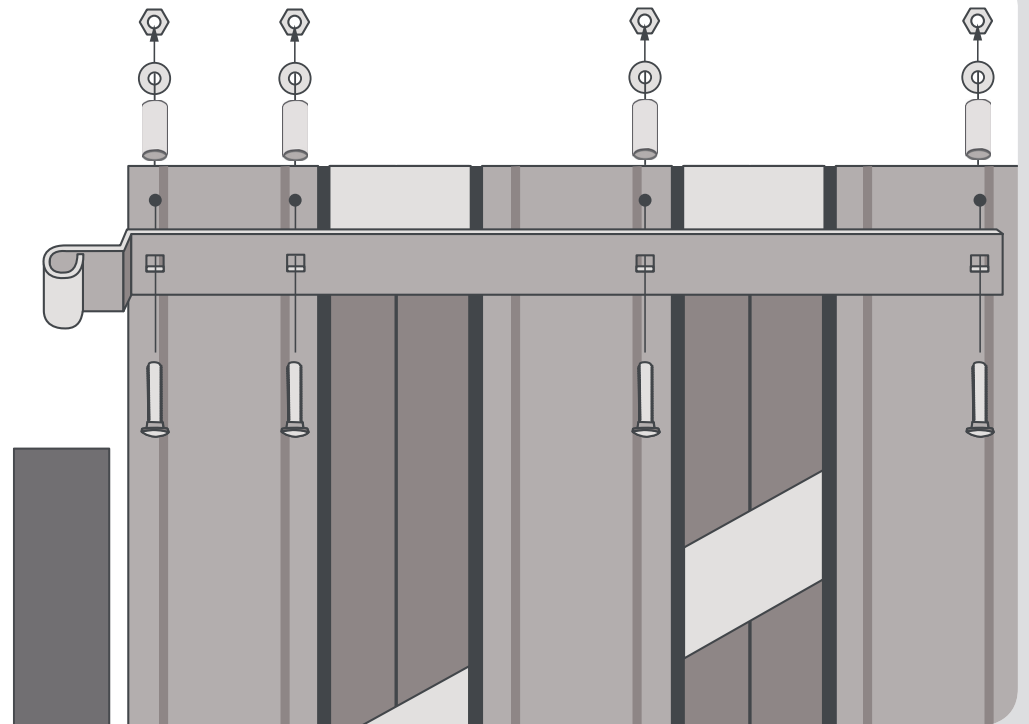
2



## Assembly steps

### Hinge Set Assembly

3





## Assembly steps

Finish  
Assembly

4

