

Produkt informatie

UNIVERSEAL CLIP



Description:

The clip is suitable for fastening grooved decking boards to a wooden-, bamboo- or aluminum-substructure. Due to its special shape, it fits into all common grooves without undercut. The screw is pre-assembled for easier application. Due to the flexible base point, it generates a uniform joint dimension of 6mm.

Itemnumber: 592748392

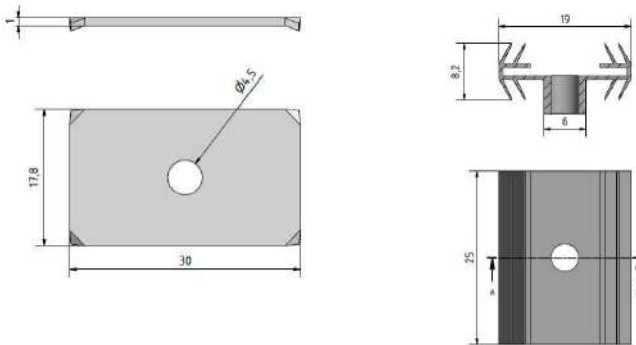
Material:

Material basis: Polypropylen, black
Material clamping plate: stainless steel, zinc plated black

Dimensions:

Basis : 10,2x25x19mm
Clamping plate : 1x30x17,8mm

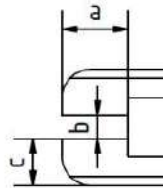
Drawing:



Effect:

The clip is held independently in the groove by its arms. This enables simple, fast assembly. Due to the elasticity of the base, it covers a wide range of groove geometries.

a: min. 6,5mm
b: 4mm-8mm
c: 4mm-10mm

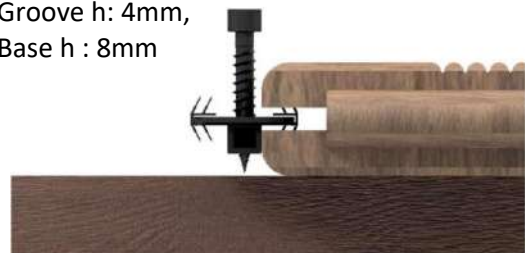


Nutwange 12mm,
Nuthöhe 4mm



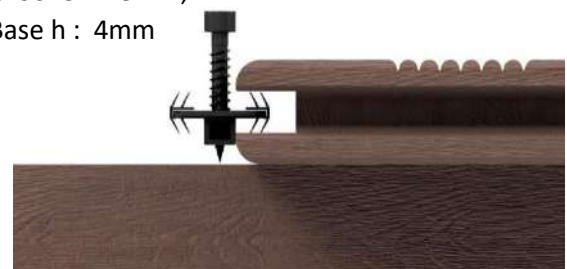
Example:

Groove h: 4mm,
Base h : 8mm



Example:

Groove h : 8mm,
Base h : 4mm



If you are not familiar with the use of this product and in particular with its intended use, please contact us.